

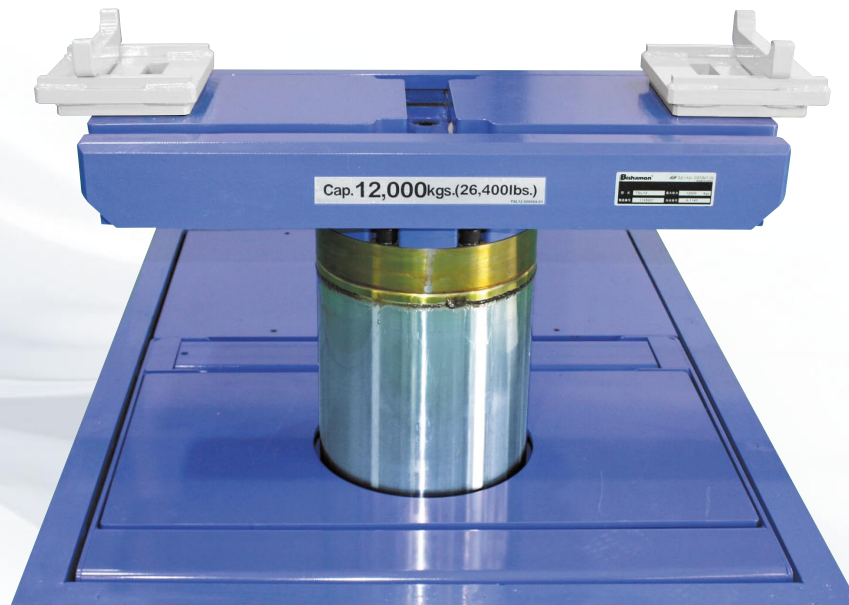
MID SIZE TRUCK LIFT

ELECTRO HYDRAULIC

[TEST LIFT SERIES]

CAPACITY 12 / 15 ton

Washing



Key Features

FLOATING STYLE SLIDE ARM

The all new supporter allows easy setup. The smooth moving roller bearing slide arm is smooth enough to operate with one hand.



LIGHT WEIGHT ATTACHMENT

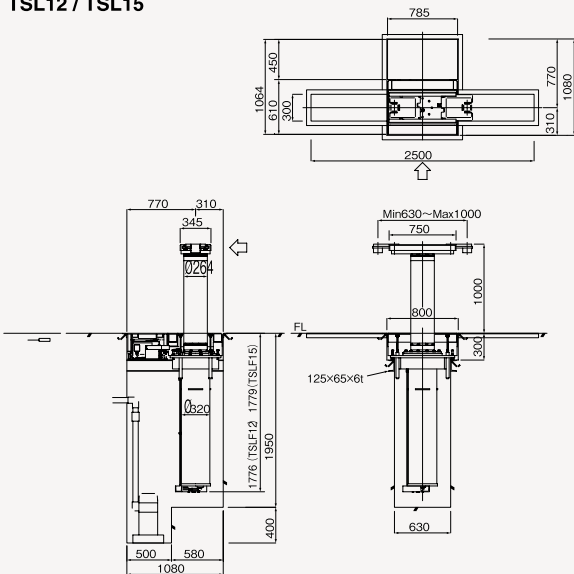
The light weight attachment relieves workers from strain. It will be easier to set up on the supporter.



Front axle attachment

Specifications

TSL12 / TSL15



Model No.	TSL12	TSL15	WTSL15
Capacity	12t	15t	
Vertical Travel	1,000mm		
Lifting Time (Approx)	60Hz	50 sec.	67 sec.
	50Hz	60 sec.	83 sec.
Safety Device	Safety hook		Lowering prevention pin
Washing Application	No		Yes
Hyd. Unit	Built-In		Separate
Motor	2.2kW		
Oil Volume	12L (ISO VG32)		18L (ISO VG32)
Air Pressure	0.5~1.0Mpa		