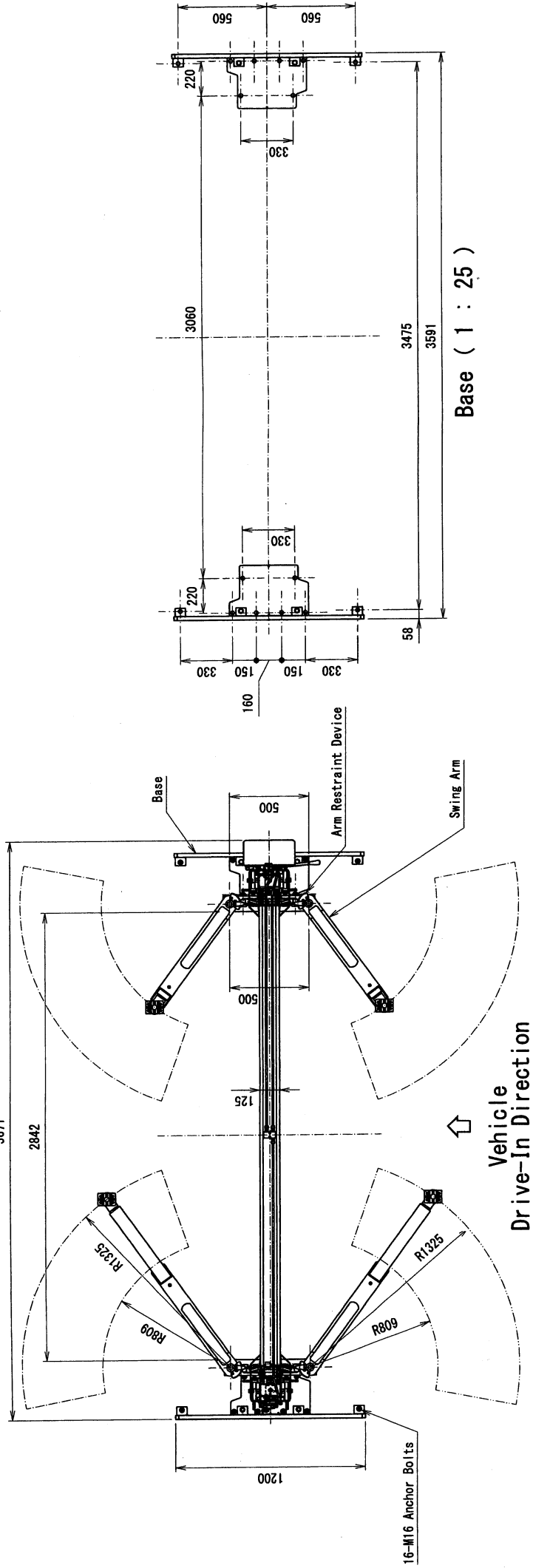
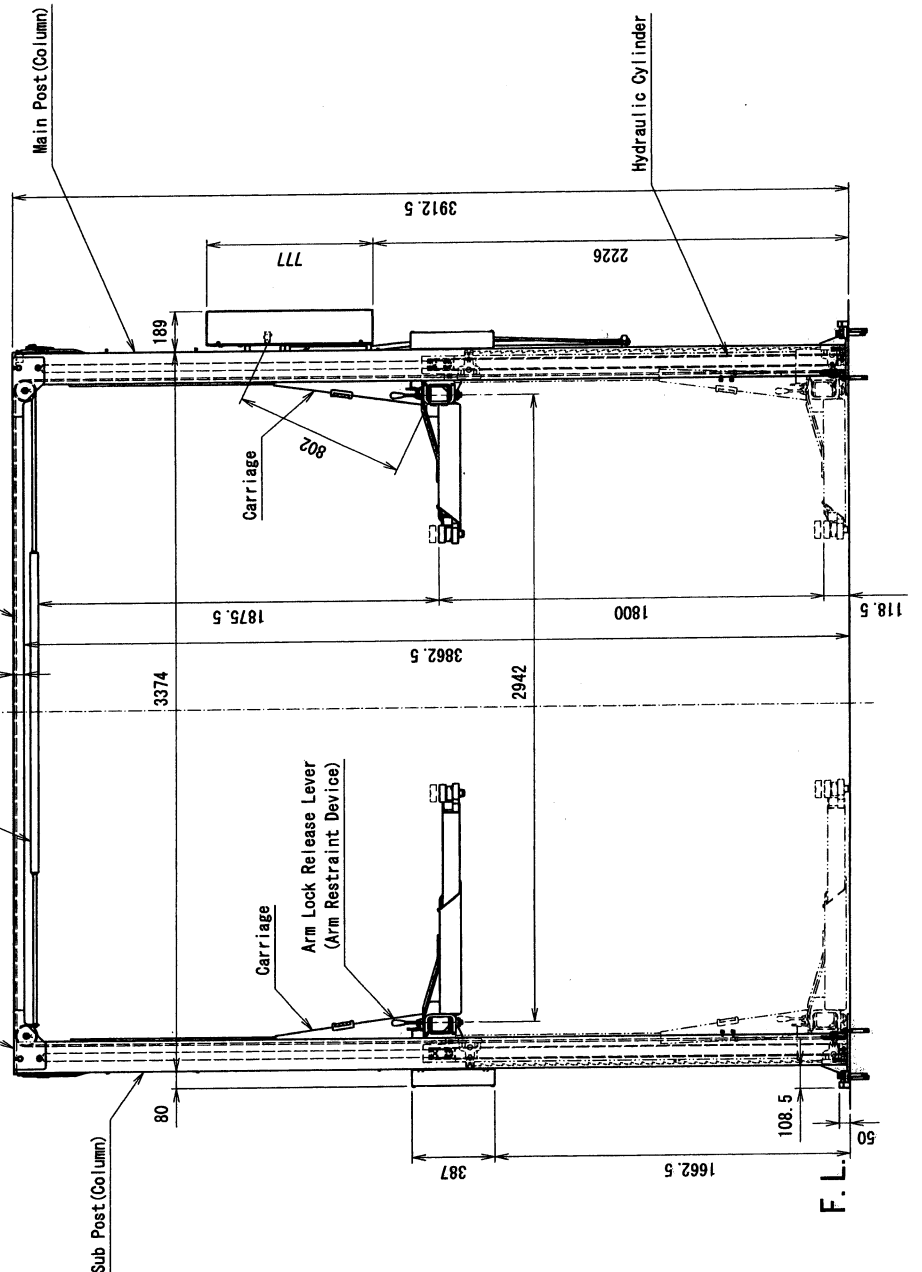
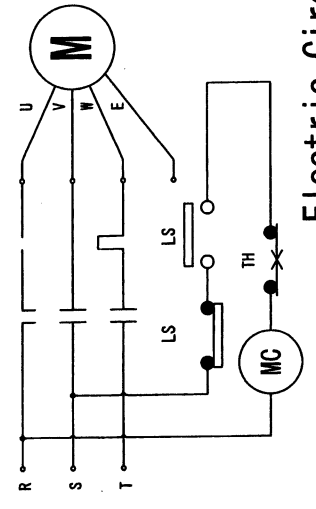


Spec.

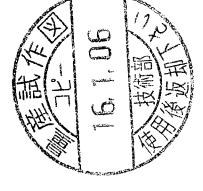
Model No.	SPA4000W
Capacity	4000kgs
Vertical Travel	1800mm
Control	Lever Type
Power	3 Phase
Motor	1.5kW 4P-10 Minutes Rating
Rising Speed	Approx. 64 Sec (60Hz) Approx. 77 Sec (50Hz)
Oil Volume	8.5L (ISO VG32)
Weight of Automotive lift equipment	685 kgs
Weight of maximum Vehicle including load calculation	4800 kgs
Total weight requirement for equipment and vehicle	5485 kgs



Base (1 : 25)



Hydraulic Circuit



SUGIYASU CORPORATION	
SPA4000W Spec. Drawing	
-021000-01	
承認	16.1.06
検図	16.1.05
製図	16.1.05
付	1 2 3 4 5 6 7 8 9
日	2016/01/05
図	石川恵尺
度	1:25

訂正年月日 記 事