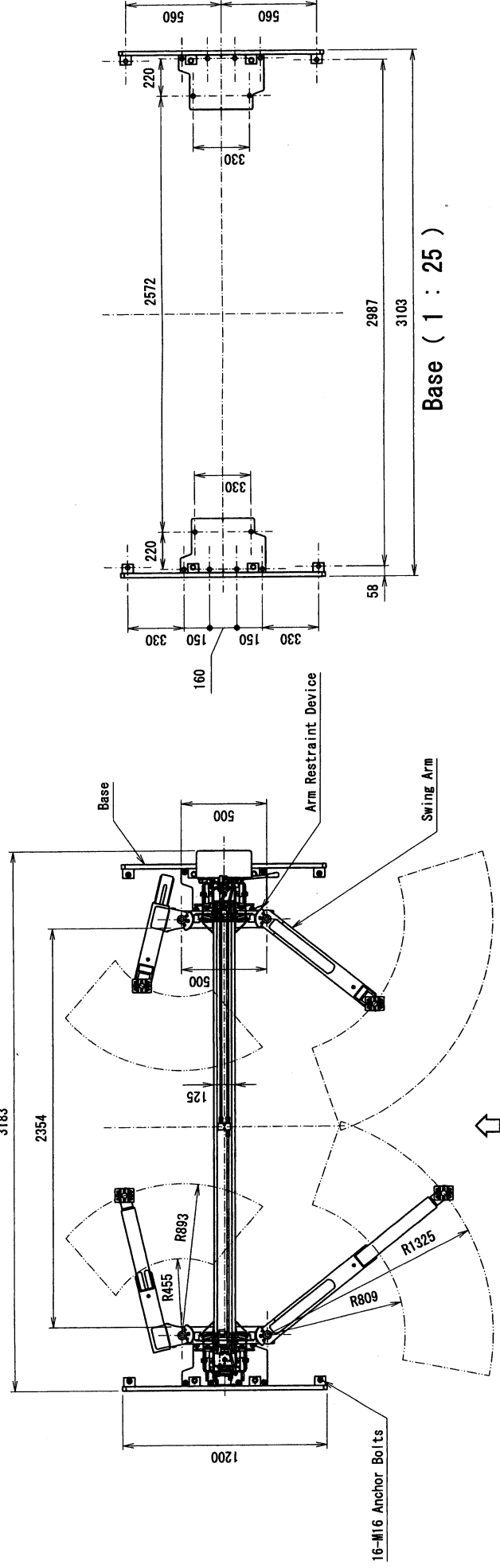


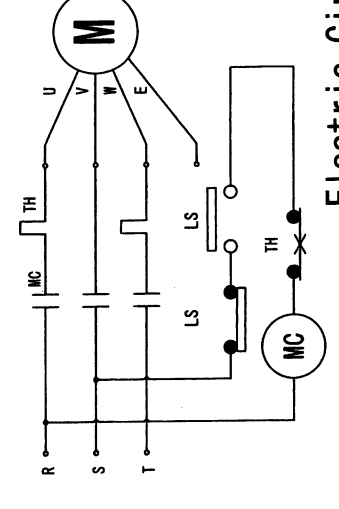
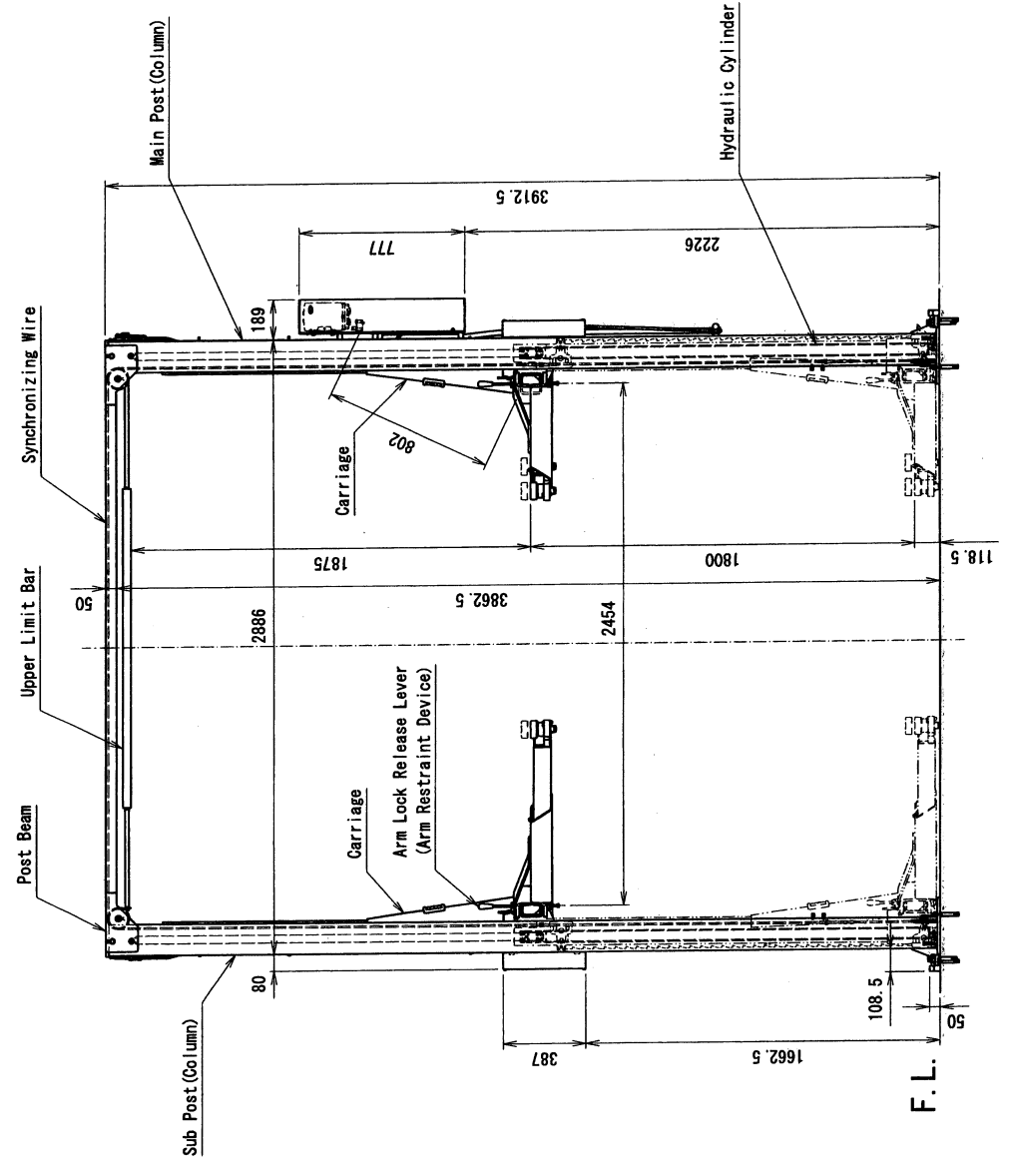
Spec.

Model No.	SPA4000
Capacity	4000kgs
Vertical Travel	1800mm
Control	Lever Type
Power	3 Phase
Motor	1.5kW 4P-10 Minutes Rating
Rising Speed	Approx. 64 Sec (60Hz) Approx. 77 Sec (50Hz)
Oil Volume	8.5L (ISO VG32)
Weight of Automotive lift equipment	665 kgs
Weight of maximum Vehicle including load calculation	4800 kgs
Total weight requirement necessary for equipment and vehicle	5465 kgs

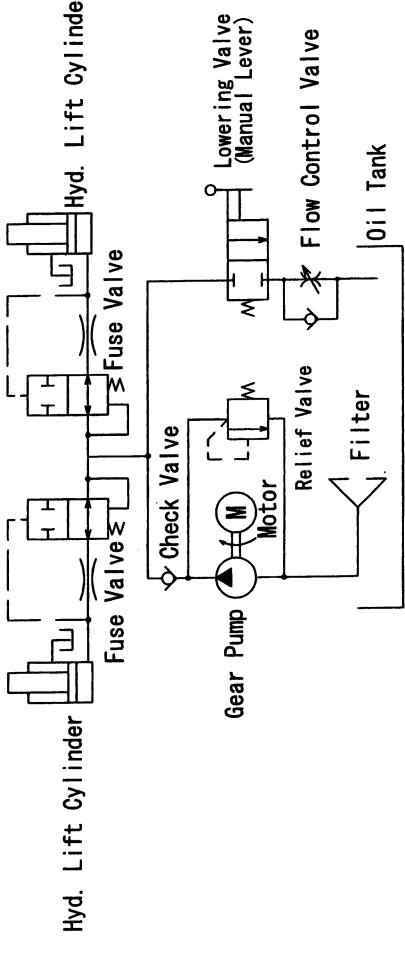


Base (1 : 25)

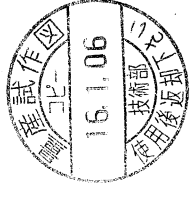
Vehicle Drive-In Direction



Electric Circuit



Hydraulic Circuit



SUGIYASU CORPORATION	
SPA4000 Spec. Drawing	
-021000-01	
承認	16.1.05
検査	16.1.05
設計	16.1.05
製図	16.1.05
日付	2016/01/05
寸法	石川恵
縮尺	1:25

訂正	年月日	記	専