

2 POSTS LIFT

ELECTRO HYDRAULIC

[SPA SERIES]

CAPACITY 4,000kg

Standard column model

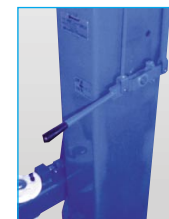


Key Features



FLOW CONTROL VALVE

It ensures smooth lowering when lifting down any vehicles. It also makes it light to control the operation lever.



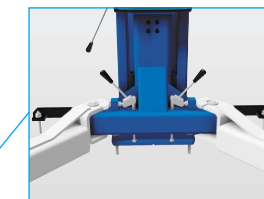
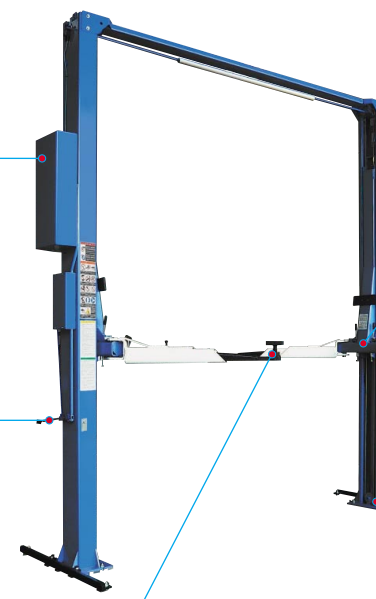
SINGLE LEVER CONTROL

A single lever operates safely for both hook releasing and lowering.



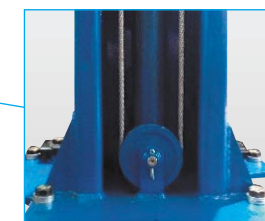
BODY CONTACT PADS

Various kinds of Pads are available. See page 29 for more details.



AUTOMATIC ARM RESTRAINT WITH DUAL LEVER

Arms restrain automatically when lifting up for maximum safety. Dual lever allows you to adjust arms individually for easy and smooth setting of lifting point.

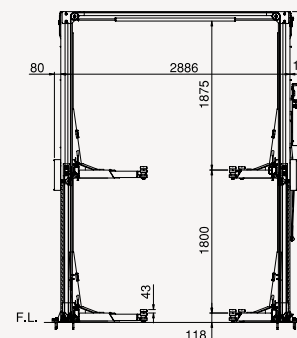
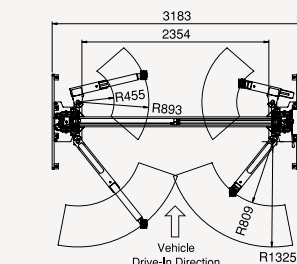


HYDRAULIC CYLINDER & SHUT OFF VALVE

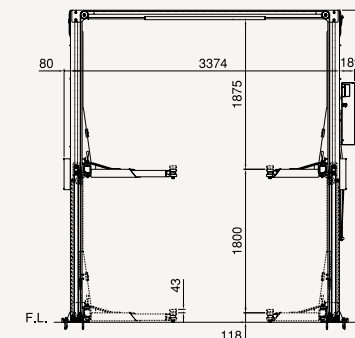
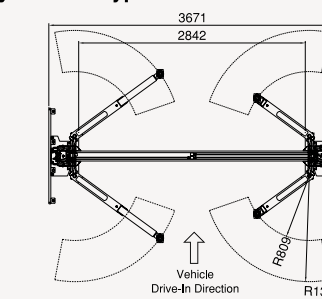
Dual hydraulic cylinder system has automatic shut off valve to protect against hydraulic failure.

Specifications

SPA4000 Asymmetric Type

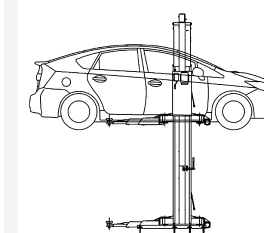


SPA4000W Symmetric Type



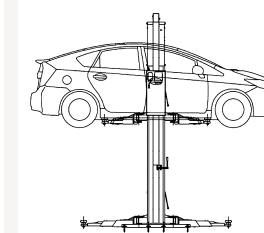
Vehicle set up

ASYMMETRIC TYPE



Short arms are used in the front side. Thus, width of lift is around 500mm narrower than the Symmetric type, which enables you to install the lift in a smaller space.

SYMMETRIC TYPE



Long arms are used in all 4 arms. Thus, center of gravity of car stays near the center of the posts, which enables you to set up the vehicle from both directions.

Model No.		SPA4000	SPA4000W
Capacity			4,000kg
Vertical Travel			1,800mm
Control			Lever type
Power			3 phase
Motor			1.5kW 4P 10 min. rating
Lifting Time (Approx)	60Hz		64 sec.
	50Hz		77 sec.
Oil Volume			8.5L (ISO VG32)