

2 POSTS LIFT

ELECTRO HYDRAULIC

[OSP•NSP SERIES]

CAPACITY 3,500kg



Long warranty model
Industry leading warranty (Not including consumable parts)



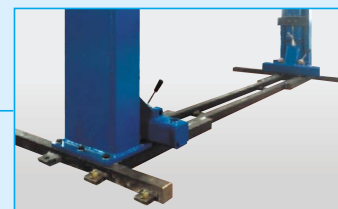
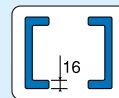
Long selling series with superior column strength



Outstanding Feature

SUPERIOR COLUMN STRENGTH

Hot rolled channel made especially for Bishamon forms on the basis of the load bearing structure for maximum strength.



FREE-STANDING

Base is composed as one unit for free-standing, which is exceptional feature in lift industry market. This is a photo without base cover for reference. (Anchor bolt must be required.)

Key Features



FLOW CONTROL VALVE

Ensuring smooth lowering of any vehicle. It also makes the operation lever lighter.



SAFETY HOOK

Safety hook features direct & positive engagement in Main Column for maximum safety against chain breakage.



ROBUST CARRIAGE DESIGN

Solid steel bearings. Lubricated & sealed for extended service life.



SHUT OFF VALVE

An automatic shut off valve is equipped in Bishamon's reliable hydraulic cylinder for maximum protection against hydraulic failure.

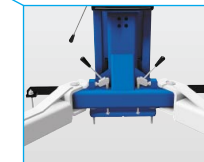


LIFT CHAIN

Chain is used instead of cable for maximum safety and reliability.

SAFETY BAR AND CATCH GEAR

Safety bar is equipped in Sub Column for maximum safety against chain breakage.



AUTOMATIC ARM RESTRAINT WITH DUAL LEVER

Arms restrain automatically once lifted for maximum safety. Dual lever allows you to adjust arms individually for easy and smooth setting.

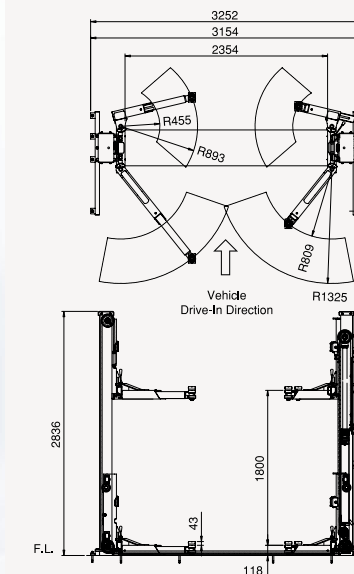


BODY CONTACT PADS

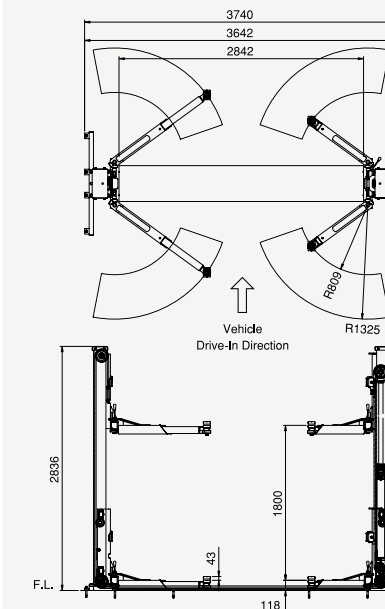
Various types of Pads are available. See page 29 for more details.

Specifications

OSP3500N Asymmetric Type

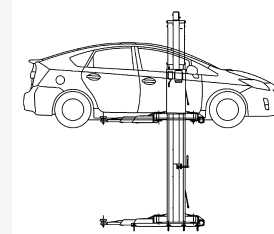


NSP3500N Symmetric Type



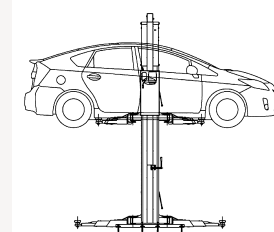
Vehicle set up

ASYMMETRIC TYPE



Short arms are used in the front side. Thus, width of lift is around 500mm narrower than the Symmetric type, which enables you to install the lift in a smaller space.

SYMMETRIC TYPE



Long arms are used in all 4 arms. Thus, center of gravity of car stays near the center of the posts, which enables you to set up the vehicle from both directions.

Model No.		OSP3500N	NSP3500N
Capacity		3,500kg	
Vertical Travel		1,800mm	
Control		Lever type	
Power		3 phase	
Motor		1.5kW 4P 10 min. rating	
Lifting Time (Approx)	60Hz	59 sec.	
	50Hz	70 sec.	
Oil Volume		8L (ISO VG32)	