

# PREMIUM IN-GROUND LIFT

ELECTRO HYDRAULIC

## [ULNEO SERIES]

CAPACITY 3,000 / 3,200kg

Flat & Flat

Swing Arm

Plate & Arm

Flat and Flat barrier-free in-ground lift



### Key Features

#### MECHANICAL LOWERING STOP DEVICE

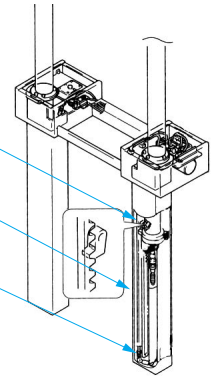
Safety Hook is automatically locked all the time.

#### DUAL CYLINDER SYSTEM

Acting cylinder is installed inside ram pipe and is protected from rust and damage.

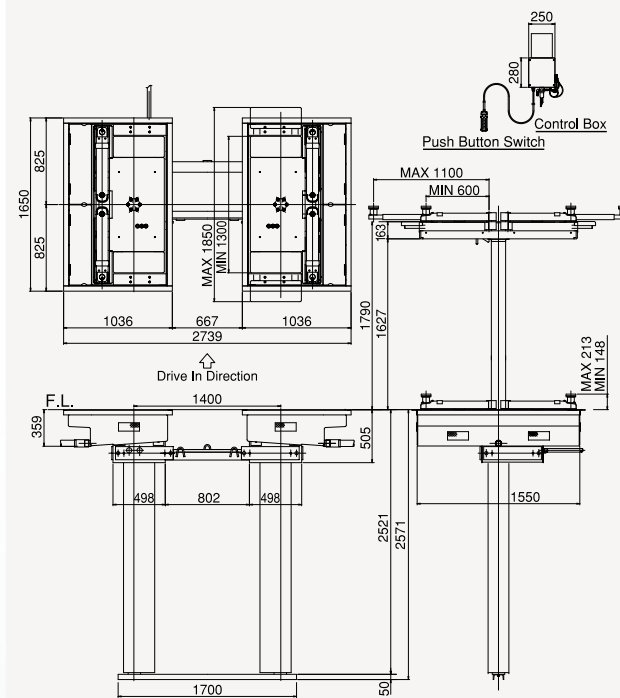
#### FUSE VALVE(SHUT OFF VALVE)

Fuse valve is installed at the cylinder to prevent car from falling down in case of a hydraulic failure.

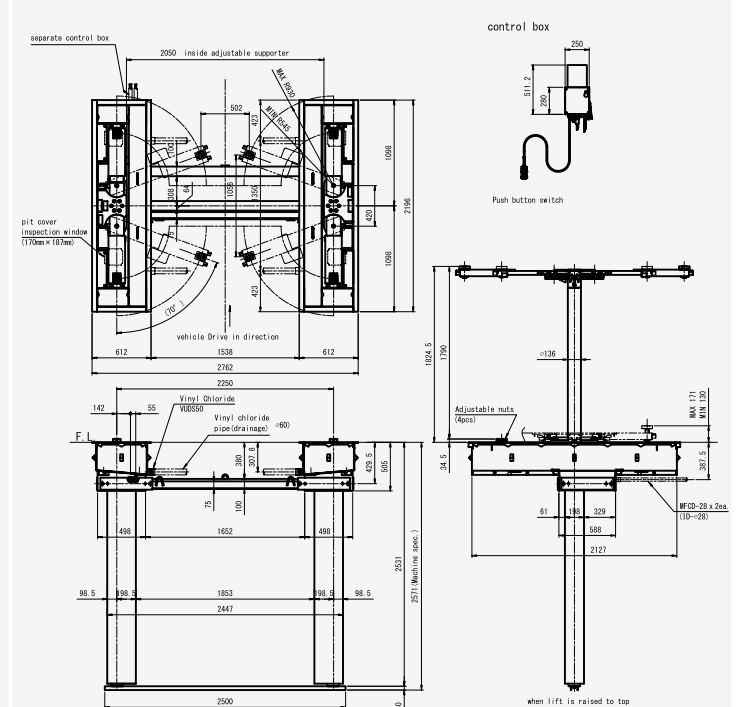


### Specifications

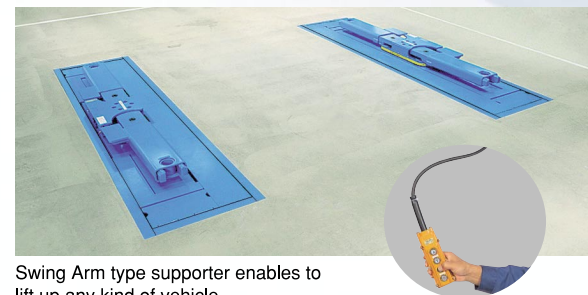
#### NNZ30KAUJ



#### NNZ30WPU



### SWING ARM TYPE



Swing Arm type supporter enables to lift up any kind of vehicle

### PLATE & ARM TYPE

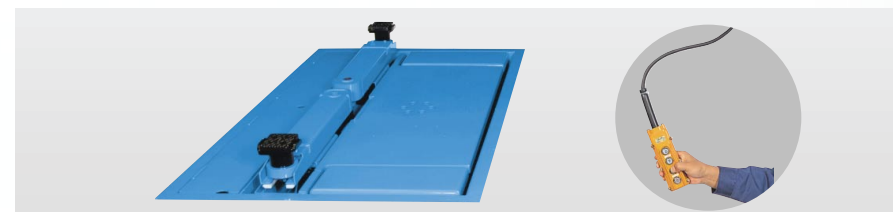
**Plate application**  
Easy lift up for passenger car



**Arm application**  
Enables to lift up SUV, Light Truck etc.



### AIR OPERATED BY REMOTE CONTROL



### MANUAL OPERATED



Model No.	NNZ30KAUJ	NNZ30WPU	NNZ32PUAJ
Capacity	3,000kg		3,200kg
Supporter Type	Plate & Arm	Swing Arm	Plate & Arm
Vertical Travel	1,790mm		
Distance of Lift Center	1,400mm	2,250mm	1,650mm
Arm Retract	Pneumatic	Electric	Pneumatic
Lifting Time (Approx)	60Hz 50Hz	54 sec. 65 sec.	
Lowering Time (Approx)	33 sec.		
Motor	2.2kW	1.5kW	2.2kW
Control	Cable remote control switch		
Oil Volume	12L (ISO VG32)		
Air Pressure	0.5~1.0Mpa		