

PREMIUM IN-GROUND LIFT

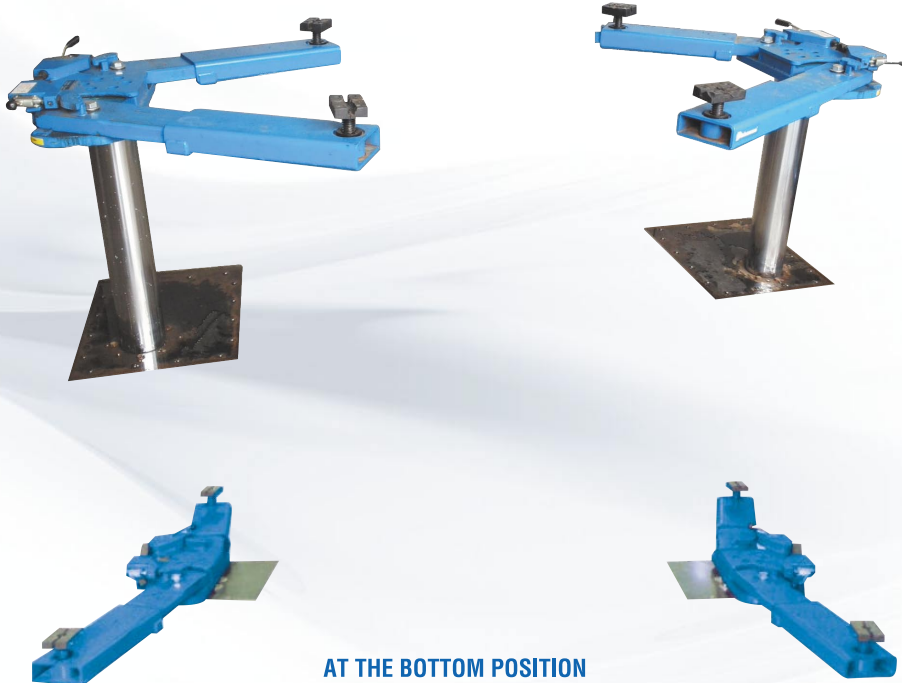
[SPACE LIFT SERIES]

CAPACITY 3,000kg

Swing Arm

Washing

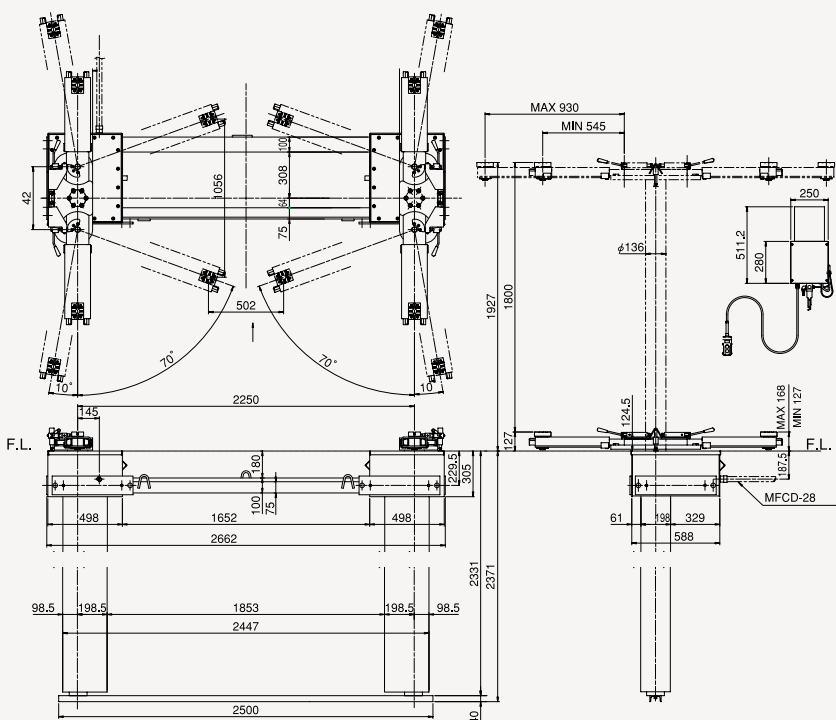
Long selling standard in-ground lift



AT THE BOTTOM POSITION

Specifications

NNZ30WU



Model No.	NNZ30WU	WNNZ30W
Capacity	3,000kg	
Supporter Type	Swing Arm	
Vertical Travel	1,800mm	
Distance of Lift Center	2,250mm	
Lifting Time (Approx)	60Hz	54 sec.
	50Hz	65 sec.
Lowering Time (Approx)	33 sec.	
Motor	1.5kW	
Control	Cable remote control switch	
Power	3 phase	
Washing Application	No	Yes
Hyd. Unit	Built-In	Separate
Oil Volume	12L (ISO VG32)	
Air Pressure	0.5~1.0Mpa	