

TRUCK CHASSIS LIFT

PNEUMATIC HYDRAULIC

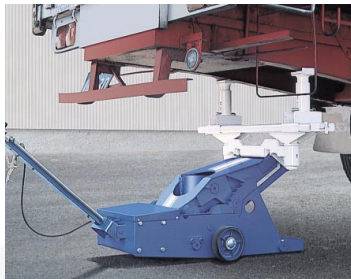
[SPERM WHALE LIFT & LIFT10]

CAPACITY 10 ton

NFJ100
SPERM WHALE LIFT



FJ100
LIFT10



Key Features
SAFETY HOOK



PARKING BRAKE

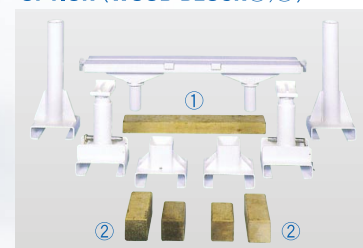


Key Features



Min. Height of Axle Supporter is 182mm

Attachment
OPTION (WOOD BLOCK①,②)

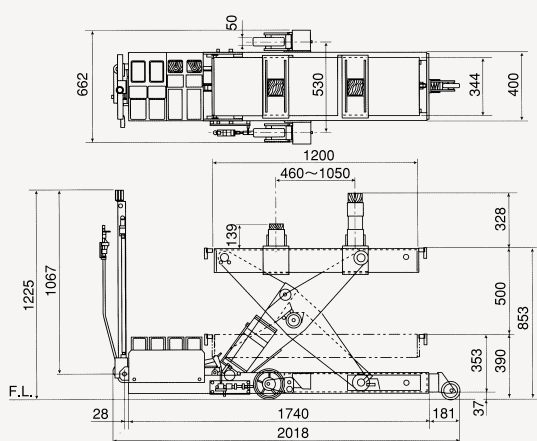


Attachment
OPTION

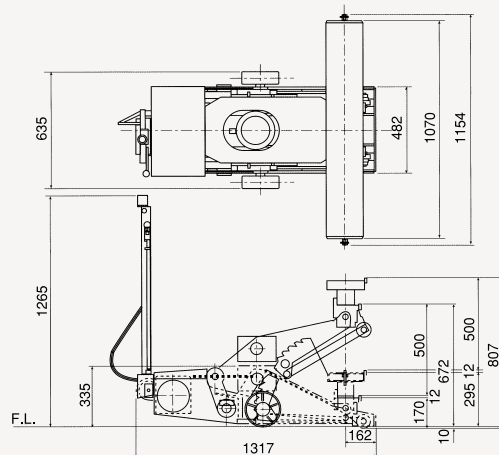


Specifications

NFJ100



FJ100



Model No.		NFJ100	FJ100
Capacity		10t	
Vertical Travel		500mm	
Lifting Time (with 1.0Mpa Air pressure) (Approx)	Unloaded	40 sec.	120 sec.
	Loaded	130 sec.	240 sec.
Max. Height		853mm	672mm (Frame Supporter 807mm)
Min. Height		390mm	335mm (Axle Supporter 182mm)
Floor Condition For Use		Flat and bear 15t	
Compressor Power		Over 3.7kW	
Oil Volume		4.5L (ISO VG32)	2.8L (ISO VG32)
Air Pressure		0.6~1.0Mpa	