

MULTI & MUCROSS LIFT

ELECTRO

[MULTI POWER SERIES]

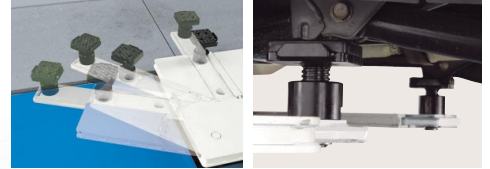
CAPACITY 4,000kg

Pit Model

Multi power for multi vehicles

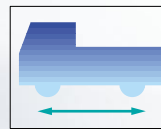
Key Features

SWING BOARD SUPPORTER



Swing board supporter equipped in upper lift can reach jacking point of SUV, VAN and so on.

APPLICABLE WHEELBASE AT MAX.



- 3,300mm (MUS40U)
- 3,800mm (MUS40UL)

OPTION

JACKING BEAM NRJ20

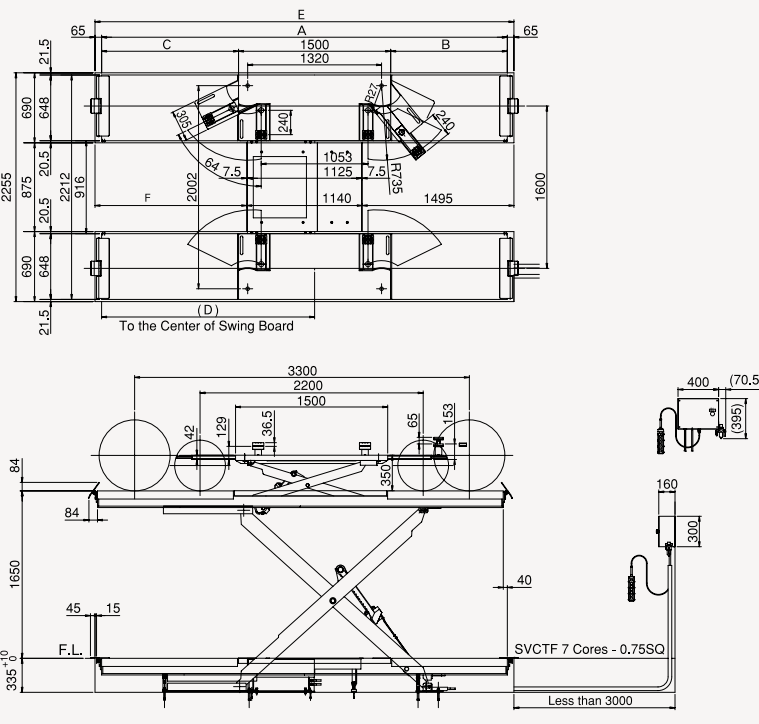


See page 30 for more detail



Specifications

MUS40U / MUS40UL



Model No.		MUS40U	MUS40UL
Installation		Pit Installation	
Capacity	Lower Lift	4,000kg	
	Upper Lift	3,000kg	
Drive on Plate Length		4,000mm	4,500mm
Applicable Wheel Base at Max.		3,300mm	3,800mm
Control		Cable remote control switch	
Power		3 phase	
Lifting Time (Approx)	Lower Lift	60Hz	60 sec.
		50Hz	72 sec.
	Upper Lift	60Hz	8 sec.
		50Hz	10 sec.
Lowering Time (Approx)	Lower Lift	35 sec.	
	Upper Lift	10 sec.	
Motor		2.2kW	
Oil Volume		18L (ISO VG32)	
Air Pressure		0.7~1.0MPa	

	MUS40U	MUS40UL
A	4,000mm	4,500mm
B	1,150mm	1,400mm
C	1,350mm	1,600mm
D	2,100mm	2,350mm
E	4,130mm	4,630mm
F	1,495mm	1,995mm