

[FANTAS]

CAPACITY 3,200kg

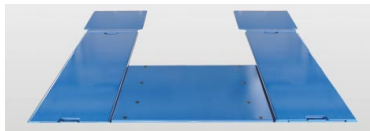
Pit Model

Plate & Arm



Key Features

FULL FLAT at BOTTOM



Drive-on plates become fully flat same as floor level at the bottom for easy drive in.

2 WAY (PLATE & SWING ARM)



Combination of plate and swing arm makes this lift applicable to a wide range of vehicles.

SUPER STURDY SCISSORS DESIGN

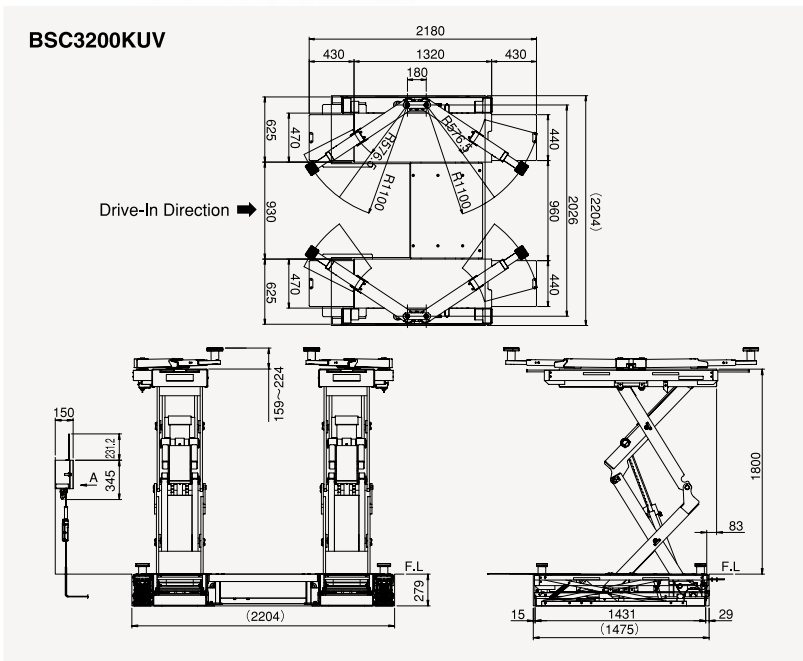


Inner Scissors use Square tube for sturdy structure against bending and swing.

MECHANICAL SYNCHRONIZING SYSTEM

Mechanical Synchronizing System provides reliable synchronizing between both sides of Drive-on Plate when lifting unbalanced.

Specifications



※ () shows the pit spec.

Model No.	BSC3200KUV	
Installation	Pit installation	
Hyd. Unit	Built-in	
Capacity	3,200kg	
Vertical Travel	1,800mm	
Control	Cable remote control switch	
Power	3 phase	
Lifting Time(Approx)	60Hz	43 sec.
	50Hz	52 sec.
Lowering Time(Approx)	40 sec.	
Motor	2.2kW 4P 5 min. rating	
Oil Volume	13L (ISO VG32)	
Arm Retract	Pneumatic	
Air Pressure	0.7MPa	